

DOOR CHIMES

ECHO-230-SW



HiFi Chime with brilliant sound quality where you can play your own sounds. Complete with optical signalisation and software. Sounds can be loaded with Micro-SD Card (not supplied). Supply 8/12VAC/DC or 230VAC.

Colour: Black/White - 43540

ECHO-230-SW - \$365.18

ECHO-230-WS



HiFi Chime with brilliant sound quality where you can play your own sounds. Complete with optical signalisation and software. Sounds can be loaded with Micro-SD Card (not supplied). Supply 8/12VAC/DC or 230VAC.

Colour: White - 43541

ECHO-230-WS - \$365.18

ECHO-120-SW



HiFi Chime with brilliant sound quality where you can play your own sounds. Complete with optical signalisation and software. Sounds can be loaded with Micro-SD Card (not supplied). Supply 8/12VAC/DC.

Colour: Black/White - 43530

ECHO-120-SW - \$292.12

ECHO-120-WS



HiFi Chime with brilliant sound quality where you can play your own sounds. Complete with optical signalisation and software. Sounds can be loaded with Micro-SD Card (not supplied). Supply 8/12VAC/DC.

Colour: White - 43531

ECHO-120-WS - \$292.12

CROMA 230A



Electronic Chime with 17 brilliant polyphone tones which includes special tone sequence for people with hearing difficulties. Supply 8/12VAC/DC or 230VAC. Can be paralleled to other chimes and features an adjustable volume control.

Colour: White/Grey - 43175

CROMA 230A - \$147.33

CROMA 230A-A/W



Electronic Chime with 17 brilliant polyphone tones which includes special tone sequence for people with hearing difficulties. Supply 8/12VAC/DC or 230VAC. Can be paralleled to other chimes and features an adjustable volume control.

Colour: White with Aluminium finish - 43190

CROMA 230-ALU - \$188.09

DOOR CHIMES

CROMA 231A



Electronic Chime with 17 brilliant polyphone tones which includes special tone sequence for people with hearing difficulties. Supply 8/12VAC/DC or 230VAC. Can be paralleled to other chimes and features an adjustable volume control.

Colour: Silver/Grey - 43177

CROMA 231A - \$175.84

CROMA 231A-WS/SI



Electronic Chime with 17 brilliant polyphone tones which includes special tone sequence for people with hearing difficulties. Supply 8/12VAC/DC or 230VAC. Can be paralleled to other chimes and features an adjustable volume control.

Colour: Silver/White - 43196

CROMA 231A-ws/si - \$175.84

CROMA 231A-WS/SW



Electronic Chime with 17 brilliant polyphone tones which includes special tone sequence for people with hearing difficulties. Supply 8/12VAC/DC or 230VAC. Can be paralleled to other chimes and features an adjustable volume control.

Colour: Black/White - 43197

CROMA 231A-ws/sw - \$175.84

CROMA 231A-WS/SW



Electronic Chime with 17 brilliant polyphone tones which includes special tone sequence for people with hearing difficulties. Supply 8/12VAC/DC or 230VAC. Can be paralleled to other chimes and features an adjustable volume control.

Colour: White - 43195

CROMA 231A-ws/ws - \$175.84

CROMA 100A



Electronic Chime with 17 brilliant polyphone tones which includes special tone sequence for people with hearing difficulties. Supply 8/12VAC/DC or battery operation available. Can be paralleled to other chimes and features an adjustable volume control.

Colour: White with Aluminium finish - 43170

CROMA 100A - \$125.83

CROMA 50



Electronic Chime with 3 tones. Battery Operated (4x1.5 C type not included). Can be paralleled to other Chimes and features an adjustable volume control.

Colour: White/Grey - 43150

CROMA 50 - \$95.14

DOOR CHIMES

CHIME 225A



Electronic Chime with 3 tones. Battery Operated (4x1.5 C type not included). Can be paralleled to other Chimes and features an adjustable volume control. Timeless design.

Colour: White - 43225

Chime 225A - \$134.74

CHIME 169ATRW



Electromechanical 2 Tone Chime with integrated 230VAC transformer.

Colour: White - 44172

Chime 169TRw - \$133.52

CHIME 169BW



Electromechanical 2 Tone Chime. Battery Operated (4x1.5 C type not included) also suitable for 8-12VAC supply transformer.

Colour: White - 44169

Chime 169Bw - \$67.53

CHIME 065



Electromechanical 2 Tone Chime for operation with an external transformer or a 9V D type battery (not included).

Colour: Silver triangle/White - 44065

Chime 065 - \$103.34

CHIME 665



Electromechanical 2 Tone Chime for operation with an external transformer or a 9V D type battery (not included).

Colour: Blue square/White - 44665

Chime 665 - \$64.45

CHIME 565



Electromechanical 2 Tone Chime for operation with an external transformer or a 9V D type battery (not included).

Colour: Silver square/White - 44565

Chime 565 - \$103.34

CHIME 569W



Electromechanical 2 Tone Chime for operation with an external transformer or 4x1.5V C type batteries (not included).

Colour: White - 44569

Chime 569W - \$67.53

DOOR CHIMES & BELL

CHIME 265BW



Electromechanical 2 Tone Chime. Battery Operated (9V type not included) also suitable for 8-12VAC supply transformer.

Colour: White - 44265

Chime 265Bw - \$30.71

BELL LTW 1101A



Electromechanical Bell with white plastic housing. 8VAC supply 84dB output - 24075

LTW 1101A - \$27.62

DOOR CHIME ACCESSORIES

ETA-S-100 SERIES



Stainless steel circular door chime push button in solid design

ETA-S-100 - 55540 - \$246.59

ETA-S-100LEDws with white LED - 55542 - \$384.89

ETA-S-200 SERIES



Stainless steel square door chime push button in solid design

ETA-S-200 - 55541 - \$306.00

ETA-S-200LEDws with white LED - 55544 - \$400.29

ETA-S-102



Door Chime push button made of stainless steel material - circular design

ETA-S-102 - 55912 - \$210.98

ETA-S-202



Door Chime push button made of stainless steel material - square design

ETA-S-202 - 55922 - \$210.98

DOOR CHIME ACCESSORIES

ETA-S-302 SERIES



Door Chime push button made of stainless steel material - oval design
ETA-S-302 - 55932 - \$210.98

ETA-S-402



Door Chime push button made of stainless steel material rectangular design
ETA-S-402 - 55942 - \$210.98

ETA-2310



Surface mounted cast brass door chime push button - brushed brass finish
ETA-2310 - 55595 - \$73.50

ETA-2312



Surface mounted cast brass door chime push button - textured and burnished brass finish
ETA-2312 - 55597 - \$73.50

KKO-2002-SW



Door Chime push button with illuminated Name Strip - Colour Black
KKO-2002-SW - 64086 - \$22.22

KKO-2002-WS



Door Chime push button with illuminated Name Strip - Colour White
KKO-2002-WS - 64085 - \$22.22

KKO-2018



Door Chime push button with stainless steel colour finish
KKO-2018 - 64033 - \$28.89

DOOR CHIME ACCESSORIES

KKO-2019



Door Chime push button including Name Plate with stainless steel colour finish.

KKO-2019 - 64034 - \$40.46

MONTILUX



Surface mounted plastic weatherproof door chime push button with illuminated name strip.

Montilux - 51011 - \$19.81

ETA-2132 & ETA-2122



Surface mounted plastic weatherproof door chime push button with name strip.

ETA-2132 illuminated - 51015 - \$24.82

ETA-2122 non-illuminated - 51014 - \$19.81

KKO SERIES



Surface mounted plastic weatherproof door chime push button - non-illuminated.

Colours: White / Silver / Gold with Black push button

KKO-2001 (White) - 64090 - \$11.36

KKO-2001-S (Silver/Black) - 64094 - \$30.38

KKO-2001-G (Gold/Black) - 64091 - \$35.45

KKO-L SERIES



Surface mounted plastic weatherproof door chime push button - with LED illumination.

Colour: White / Silver / Gold

KKO-L-2001 (White) - 64070 - \$21.72

KKO-L-2001-S (Silver) - 64074 - \$39.28

KKO-L-2001-G (Gold) - 64071 - \$49.42

KKO-2005 SERIES



Low cost surface mounted door chime push button .

Colours: White and Black with White Button

KKO-2005 (Black) - 64035 - \$4.96

KKO-2005W (White) - 64036 - \$4.96

GT50810



Bell Transformer with Fail-safe. 230VAC input with 8VAC (1.0A) output. 2 Modules wide.

GT50810 - 14207 - \$66.20

DOOR CHIME ACCESSORIES

GT1965



Bell transformer with fail safe. 230VAC input with 8VAC (2.0A) output. 2 Modules wide
GT1965 - 14102 - \$81.34

GT36AP



Surface mounted installation kit for GT50810 and GT1965 safety transformers
GT36AP - 14936 - \$2.90

WIRELESS DOOR CHIMES

ECHO-M-SW



Wireless HiFi Chime with brilliant sound quality where you can play your own sounds. Transmitter range is 500 meters. Complete with optical signalisation and software. Sounds can be loaded with Micro-SD Card (not supplied). Supply 8/12VAC/DC or Battery.

Colour: Black/White - 43501
ECHO-M-SW - \$453.42

ECHO-M-WS



Wireless HiFi Chime with brilliant sound quality where you can play your own sounds. Transmitter range is 500 meters. Complete with optical signalisation and software. Sounds can be loaded with Micro-SD Card (not supplied). Supply 8/12VAC/DC or Battery.

Colour: White - 43502
ECHO-M-WS - \$453.42

MISTRAL TRANSMITTER PUSH BUTTON - IP54



Transmitter push button for all Mistral Chimes with a 500m range (IP54).
Colour: white and anthracite/silver

Mistral-SE-03 (white) - 43441 - \$79.61
Mistral-SE-03.1s (anthracite/silver) - 43440 - \$79.61

WIRELESS DOOR CHIMES

MISTRAL MOVEMENT DETECTOR TRANSMITTER



Movement detector transmitter suitable for Mistral Chimes with a 500m transmission range. Maximum monitoring range is 108° at 15m. For indoor use only.

Mistral-BM03.1 - 43445 - \$246.94

MISTRAL-300M



Wireless door chime set with a range of 500m or expandable with distance booster option. Includes 17 melodies and LED flash indicator. Transmitter push button is waterproof (IP54) - 43300

MISTRAL-300M - \$318.40

MISTRAL-200M



Wireless door chime set with a range of 500m (not expandable, without distance booster option). Includes 17 melodies without indicator. Transmitter push button is waterproof (IP54) - 43305

MISTRAL-200M - \$238.82

MISTRAL-300E



Wireless door chime without transmitter push button. Includes 17 melodies and LED flash indicator - 43301

MISTRAL-300E - \$214.69

MISTRAL-300M-BM



Wireless chime set with a range of 500m or expandable with distance booster option. Includes 17 melodies and LED flash indicator. Push button not included - instead a movement detector with a maximum monitoring range of 108° at 15m is supplied to trigger the chime. Indoor use only - 43315

MISTRAL 300M-BM - \$435.86

WIRELESS DOOR CHIMES

TECHNICAL INFORMATION

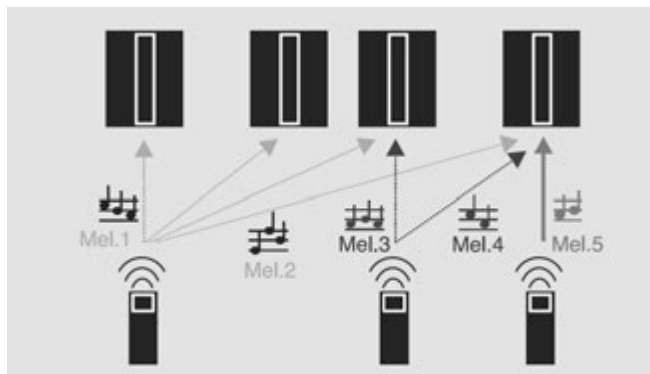
1. CENTRAL PAGING



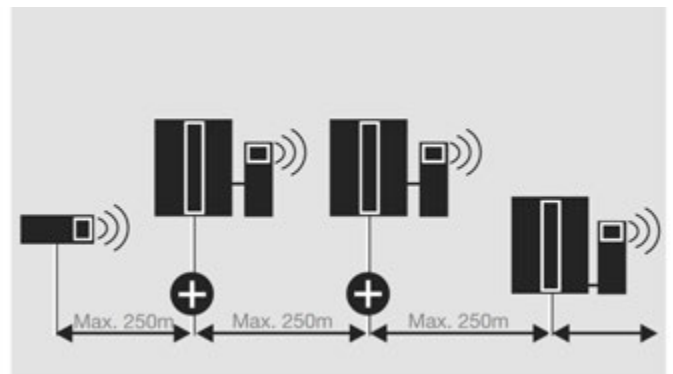
2. INDIVIDUAL PAGING



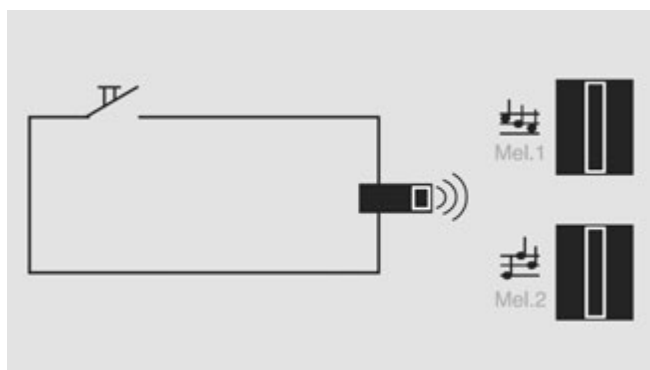
3. MATRIX PAGING



4. CALL FORWARD DRY CONTACT



5. DISTANCE BOOSTER



6. CALL FORWARDING

